



Mini Vortex Mixers



Built Sturdy to Provide Stable and Reliable Vortexing Action

Four Mini Vortex Mixer models for gentle to high-speed mixing are available. Analog model offers variable speed control, and digital model allows input of the exact speed and time to achieve reproducible results. Pulsing model features a unique pulse action that reduces heat generation, while providing more effective mixing and cell disruption. Fixed speed model offers one-touch, high-speed mixing.

Standard Features:

- **Select from Two Modes of Operation—Touch or Continuous**
Available as analog and digital models with a rocker switch to select from two modes—Touch mode which activates mixing when depressing the cup head or Continuous mode when using accessory attachments.
- **Variable Speed Models Offer Low RPM Start Up to High-Speed Mixing**
Analog and digital models offer speed control from low RPM start up for gentle shaking to high-speed mixing for vigorous vortexing of samples (analog: 300 to 2500 rpm and digital: 500 to 2500 rpm).
- **Fixed Speed Models Provide Full RPM for Vigorous Mixing**
Fixed speed vortex mixers start mixing when the cup head is depressed. Ideal for mixing samples when a variable speed is not needed. Speed is a full 2500 rpm to provide vigorous mixing of samples.

Mini Vortex Mixers

| Model | VXMNFS | VXMNAL | VXMNDG | VXMNPS |
|------------------------|---|--------------------|--------------------|------------------|
| Control | Fixed Speed | Analog | Digital | Pulsing, digital |
| Speed Range | 2800 rpm | 300 rpm – 2800 rpm | 500 rpm – 2800 rpm | |
| Orbit | 4.9 mm | | | 2.5 mm |
| Duty Rating | Intermittent | | | |
| Working Environment | 39 °F – 104 °F, 20% – 85% relative humidity, non-condensing | | | |
| Power | 230V, 0.6A, 50/60Hz | | | |
| Power Consumption | 135 W | | | |
| Dimensions (W × L × H) | 123 × 210 × 165 mm | | | |
| Net Weight | 4.4 kg | | | |

Other Standard Features and Equipment

Detachable 3-wire cord and plug, cup head and 7.6 cm accessory platform for beakers, flasks, test tubes etc. (included with all models), stainless steel microtube holder for 12 tubes (included with pulsing model only).

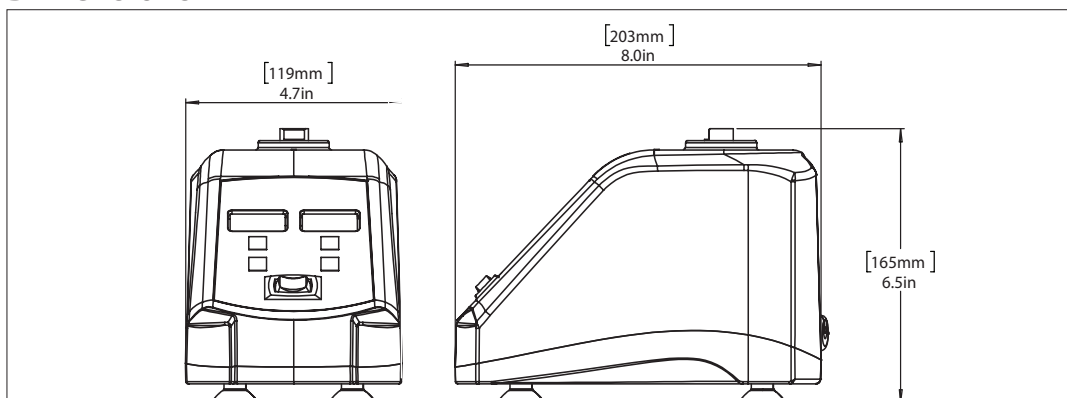
Compliance

- **Product Safety:** EN 61010-1, EN 61010-2-051
- **Electromagnetic Compatibility:** EN 61326-1 Class A, Industrial Environments
- **Compliance Marks:** CE; RCM; TÜV SÜD

Accessories

| Item No. | Description | VXMNFS | VXMNAL | VXMNDG | VXMNPS |
|----------|---|--------|--------|--------|--------|
| 30400235 | Cup Head | • | • | • | • |
| 30400236 | 7.6 cm Head | • | • | • | • |
| 30400237 | 7.6 cm Rubber Head Cover | • | • | • | • |
| 30400196 | 8 cm Head with Rubber Cover | • | • | • | • |
| 30400197 | Tube Holder Kit with Retainer | N/A | • | • | • |
| 30400198 | Micro Tube and Well Plate Holder Kit | N/A | • | • | • |
| 30400199 | Micro Well Plate Kit with Retainer | N/A | • | • | • |
| 30400200 | Microtube Kit with Retainer | N/A | • | • | • |
| 30400201 | Foam Insert Variety Pack | N/A | • | • | • |
| 30400202 | Single Tube Holder | N/A | • | • | • |
| 30400203 | Single Tube Holder Adapter Vortex Genie | N/A | • | • | • |
| 30400204 | 0.5 mL Micro-Tube Holder | N/A | • | • | • |
| 30400205 | 1.5-2.0 mL Micro-Tube Holder | N/A | • | • | • |
| 30400206 | 1.5-2.0 mL Stainless Steel Tube Holder | N/A | • | • | • |
| 30400207 | Ampule Tube Holder - Small (15-17 mm) | N/A | • | • | • |
| 30400208 | Ampule Tube Holder - Large (10-17 mm) | N/A | • | • | • |
| 30400227 | Insert Retainer | N/A | • | • | • |
| 30400228 | Vessel Harness, Pack of 2 | N/A | • | • | • |
| 30400229 | Holder For 9-13 mm Tubes, Pack of 2 | N/A | • | • | • |
| 30400230 | Holder For 14-19 mm Tubes, Pack of 2 | N/A | • | • | • |
| 30400231 | Holder For 20-25 mm Tubes, Pack of 2 | N/A | • | • | • |
| 30400232 | Micro-Tube Holder, Pack of 2 | N/A | • | • | • |
| 30400233 | Micro-Well Plate Holder, Pack of 2 | N/A | • | • | • |
| 30400234 | Flat Foam Insert, Pack of 2 | N/A | • | • | • |

Dimensions



OHAUS Europe GmbH

Im Langacher 44
8606 Greifensee
Switzerland

e-mail: ssc@ohaus.com
Tel: 0041 22 567 53 19
e-mail: tsc@ohaus.com
Tel: 0041 22 567 53 20

www.ohaus.com

The management system governing the manufacture of this product is ISO 9001:2015 certified.

CH16E197

