



SM-320

A practical, versatile printer scale



Searching for a New Balance

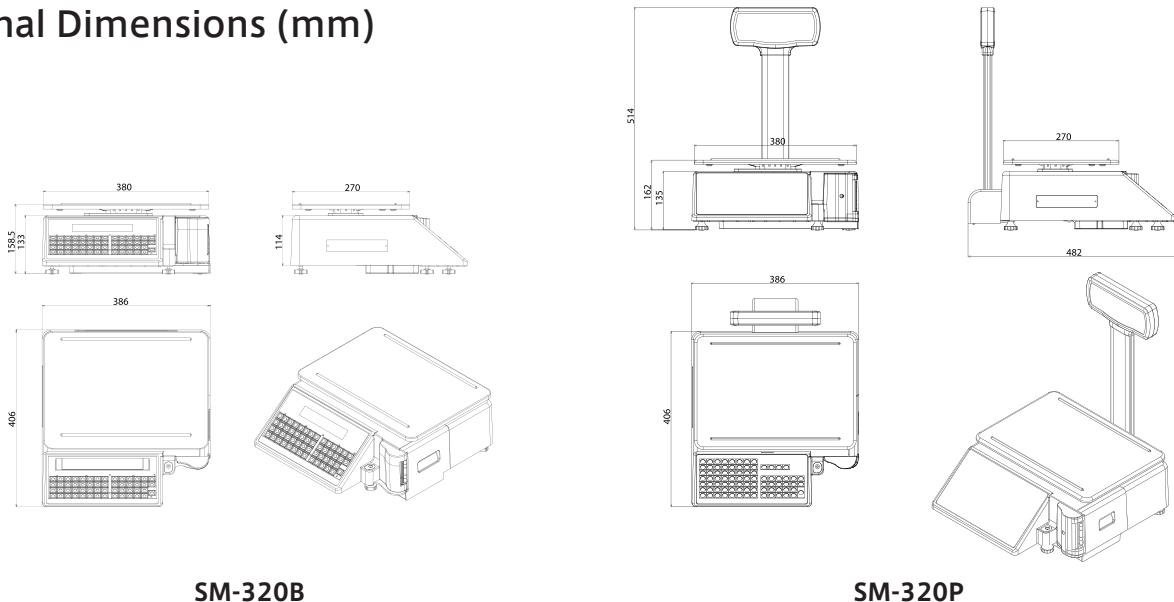
Variations



Basic Specifications

Model	SM-320B	SM-320P
Capacity	3/6 kg	6/15kg
Display resolution	1/3000	
Memory	2M (standard) 4M or 8M (optional)	
OP Display	202 x 32 pixels FSTN type LCD with back-light	
CU Display	Tare Weight display: 4 digits, Weight display: 5 digits, Unit Price display: 6 digits, Total Price display: 7 digits	
Number of Preset Keys	32	56
Printer	High reliability thermal head printer Resolution: 203dpi Max Printing Width: 56mm Max Paper Width: 60mm (receipt) / 60mm (label) Printing speed: Maximum 105 mm / sec. Life span: 100 million pulses, 100km or more.	
I/O	1x RJ45, 1xRS232, 1xRJ9 Cash drawer	
Power Source	AC 100V~240V, 50/60Hz	
WIFI (Option)	WIFI IEEE 802.11a/b/g/n	

External Dimensions (mm)



SM-320B

SM-320P

**Specifications are subject to change without prior notice.*

SHANGHAI TERAOKA ELECTRONIC Co., Ltd.

Ting Lin Industrial Zone, Jin Shan District Shanghai 201505 China

Tel: 86-21-57234888

Fax: 86-21-57234090

Website: www.digisystem.com.cn