



AI KIT for Checkout

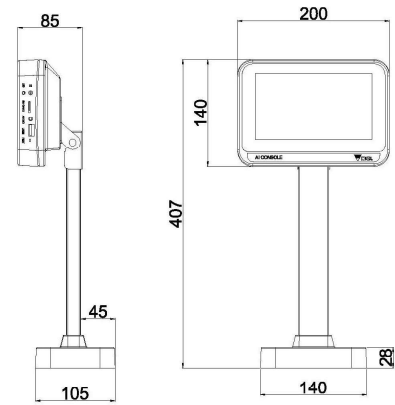
Powerful partner in your retail business



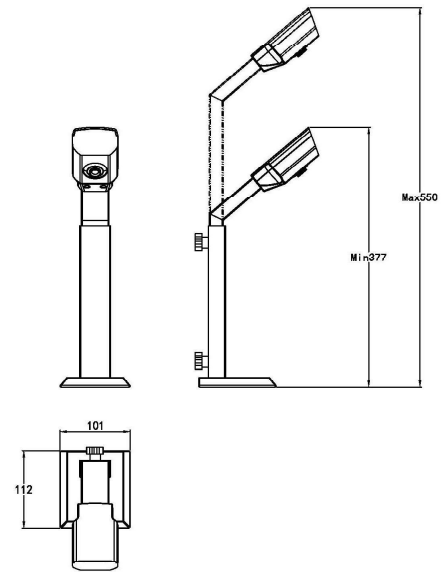
Specifications

Dimensions (in mm)

Model	AI CONSOLE
CPU	Onboard Rockchip PX30S Quad-core Cortex-A35 1.2GHz
Memory	2G LPDDR4 memory
Storage	16G Co-layout eMMC NAND flash
Operator display	7 Inches 1024*600 pixels TFT LCD
Touch panel	Capacitive Touch panel
WIFI/Bluetooth	WIFI 2.4G 802.11a/b/g/n/ac Bluetooth 4.0
Power	DC 12V/3A
External Interface	1 x RS232
	3 x USB
	1 x TF Card Slot
	1 x DC JACK
	1 x Reset key 1 x Audio 1 x Power on/off switch
OS	Android 11



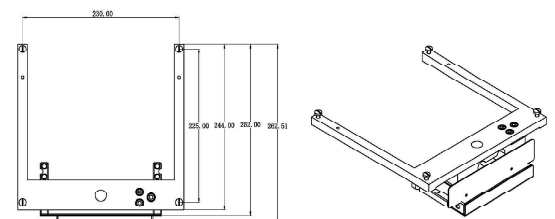
Model	AI CAMERA
Optical Size	1/2.5 inches COMS sensor
Sensor resolution	2592(H) x 1944(V)
Unit pixel dimension	2.0um x 2.0um
Color filter	RGB Bayer pattern
Shutter type	Electronic rolling shutter
Maximum frame rate	30fps@1080P
Viewing angle	110 degree
Focus	Adjustable
Interface	USB(DC 5V)



Model	PS-B Integrated with Scanner
Capacity	6kg / 15kg
Resolution	1/3000
Output impedance	1000 ± 10 Ω
Rated out	1 mV/V
A/D	AD2000
Interface	USB(DC5V)
Scanner model name	Datalogic 8300/8400/9300i/9400i/9600i/9800i/9900i Honeywell MS2421/MS2752 Zebra MP6000/MP7000



Model	AD2000
Power Source	DC 12V for RS232, DC 5V for USB
Operating Temperature	-10 C ~ +40 C
Operating Humidity	15~ 85% RH
Power Consumption	2.4W when using 4 x Loadell
Input sensitivity	0.4mV/V ~ 2mV/V
Zero adjust range	0 ± 5mV
Zero balance range	0 ± 0.5mV
L/C applied voltage	DC 5V
Speed of A/D conversion	50times/sec
Internal Resolution	150,000



SHANGHAI TERAOKA ELECTRONIC Co., Ltd.

TINGLIN INDUSTRY
DEVELOPMENTAL ZONE,
JINSHAN COUNTY, SHANGHAI 201505
TEL: +86-21-57234888
FAX: +86-21-57233049
http://www.digisystem.com.cn

DISCLAIMER: The contents and information contained in this brochure are for informational purposes, therefore they should not be considered as exact or complete by any subject (person or company). Shanghai Teraoka Electronic Co., Ltd., its corporate bodies, managers, officials, employees, agents and consultants decline any kind of liability (including, without limitation, liability arising from errors or negligence) for any loss, damage, cost or direct or indirect burden that may have been suffered due to the use or reliance on what is contained or omitted in this brochure. Shanghai Teraoka Electronic Co., Ltd. reserves the right to modify the specifications of its products without any prior notice. For further technical or economic information, please contact the sales office of Shanghai Teraoka Electronic Co., Ltd..