

Specifications

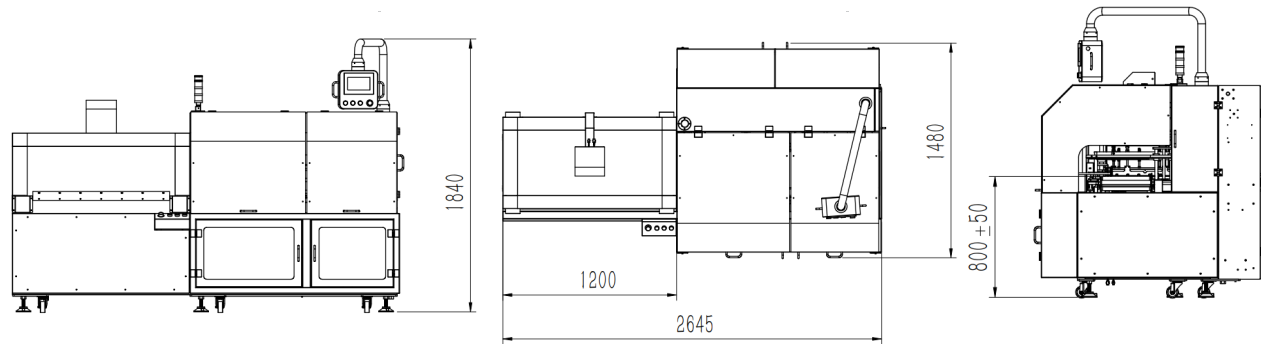
| | |
|----------------------------|------------------------------------|
| Conveyor Speed | Max. 22m/min |
| Packaging Speed | 15-25pcs/min |
| Film | POF double folded film |
| Width of Film Roll | 460mm |
| Diameter of Film Roll | Φ260mm |
| Core Diameter of Film Roll | Φ76mm |
| Length Packed Items | 120-300mm |
| Width Packed Items | 100-260mm |
| Height Packed Items | 40-100mm |
| Power Supply | 380V/200V 3phase |
| Power Consumption | 10kW |
| Machine Size | (L) 2650mm* (W) 1480mm* (H) 1840mm |
| Machine Weight | 960kg |



PW-120UP

Compact Pillow Packaging Machine

External Dimension



Options



LI-5600A

| Weighing* | Interval type | | Multi-interval | | Single-interval |
|------------|------------------------------------|-------------------------------------------|------------------------------------------------------------------------|--------------------------|-----------------|
| | *Unit varies by county | Capacity | Max 3/6kg | Max 6/15kg | Max 30lb |
| | Scale interval | e=1/2g | e=2/5g | e=0.01lb | |
| | Weighing range | 2-g-6kg | 40g-15kg | 0.20-30lb | |
| | Conveyor capacity | Max 6kg | Max 15kg | 30lb | |
| | Label Type | | Linerless | Die-cut | |
| Label Size | Automatic application | Width | 44-78mm/1.73-3.07inches | 40-80mm/1.57-3.15inches | |
| | | Length | 28-105mm/1.10-4.13inches | 28-105mm/1.10-4.13inches | |
| | Manual application | Width | 44-78mm/1.73-3.07inches | 40-80mm/1.57-3.15inches | |
| | | Length | 20-500mm/0.79-19.69inches* *Max printing length is 300mm/11.8inches | 20-150mm/0.79-5.91inches | |
| | Labeling angle | 0 or 90 or 180 or 270 degree | | | |
| | Dot density | 12 dot/mm(300dpi) | | | |
| | Font | True type font | | | |
| | Display Panel | TFT LCD color(15inches) touch panel | | | |
| | Memory for programmable files | 32GB | | | |
| | Power source and power consumption | Scale Conv: 230V;1φ;50/60Hz;0.7A;160W | | | |
| | | Labelling Conv: 230V;1φ;50/60Hz;0.9A;165W | | | |

(PW-120UP-5600WL: PW-120UP+LI-5600A)

* Specifications are subject to change without prior notice

Shanghai Teraoka Electronic CO.,Ltd

Add: Ting Lin Industry Development Zone, Jin Shan County, Shanghai, China
 Tel: +86 21 57234888
 Fax: +86 21 57234891
 Code: 201505
 Website: www.digisystem.com