



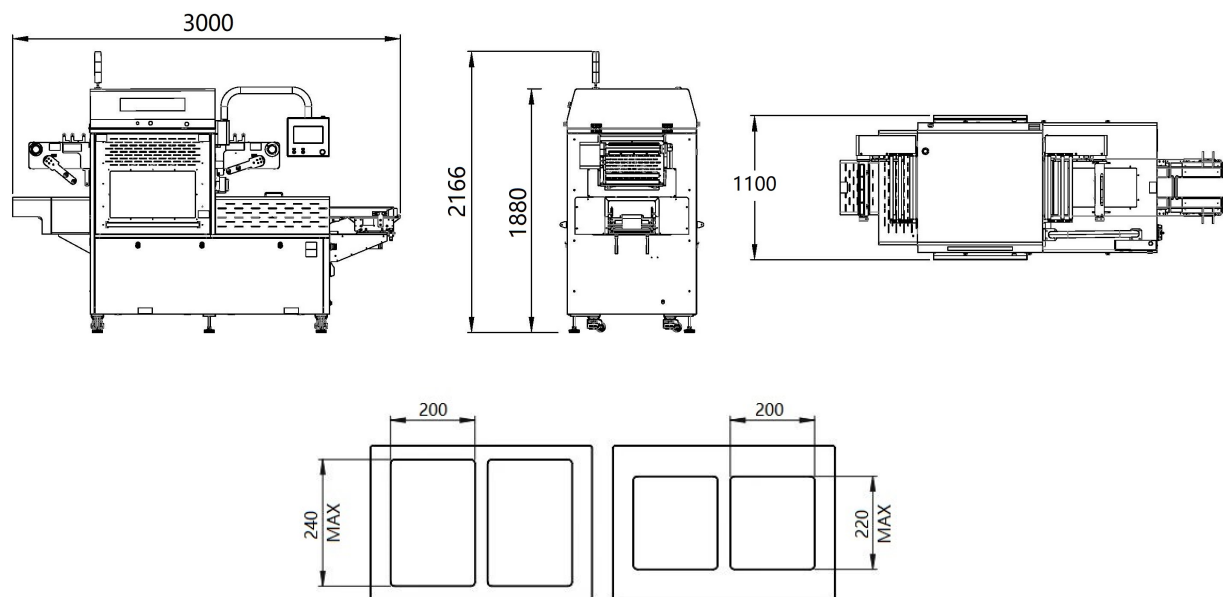
PW-400

Cardboard and Tray skin Packaging Machine



Searching for a New Balance

Dimensions



Tray / Cardboard Layout

Specifications

Packaging Type	Skin Packaging	Film Material	Skin Film
Packaging Item	Tray and Cardboard	Film Width(mm)	340~390
Cycle time(Second)	20~25	Film Thickness(um)	100
Packaging Speed(PCS/Hour)	290~360	Diameter of Film Roll(mm)	Max. 260
Power Supply	AC 380V, 50Hz/60Hz	Core Diameter of Film Roll(mm)	76
Power Consumption(kW)	10	Size of Tray/Cardboard Two Cavities (W x L mm)	Max. 200 x 240
Gas Supply(MPa)	0.6~0.8 (Air compressor integrated)	Max.packing height of Cardboard(mm)	30
Machine Weight(kg)	1044	Max.packing height of Tray (mm)	70 (Max.deep of tray 40+ Max.protruding surface 30)
Overall Dimension of Machine (L x W x H mm)	3000 x 1100 x 2166	Machine Height When Cover Opens(mm)	2520

Option

Automatic Weigh-Label system



*Specifications are subject to change without prior notice.

SHANGHAI TERAOKA ELECTRONIC Co., Ltd.

TINGLIN INDUSTRY DEVELOPMENTAL ZONE,
JINSHAN COUNTY, SHANGHAI 201505

TEL: +86-21-57234888

FAX: +86-21-57233049

<http://www.digisystem.com.cn>